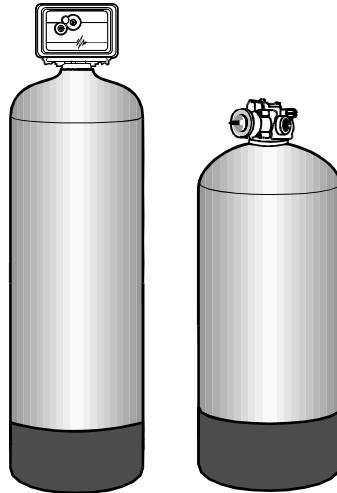


# Kleen-Plus®

## pH NEUTRALISERS

### FOR ACIDITY NEUTRALISATION

- **Green or black staining of tubs and sinks**
- **Holes in piping**
- **Metallic taste**
- **Pitted porcelain**

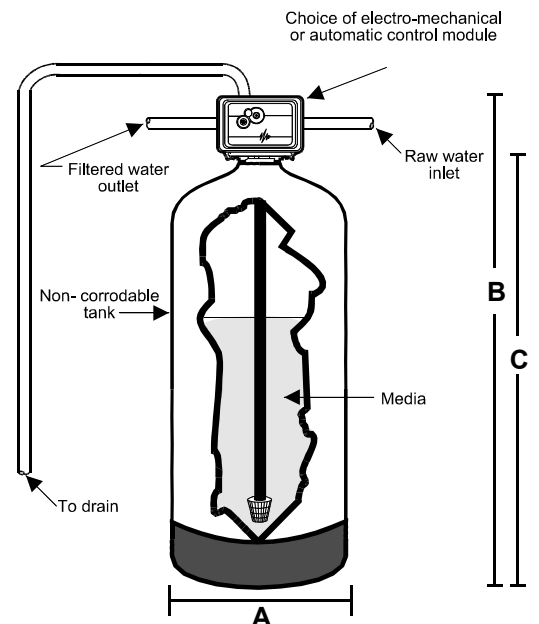


### FEATURES

- ☑ Easy to Install
- ☑ High Quality materials for long life
- ☑ In-line system for farm and household applications
- ☑ Simple to maintain

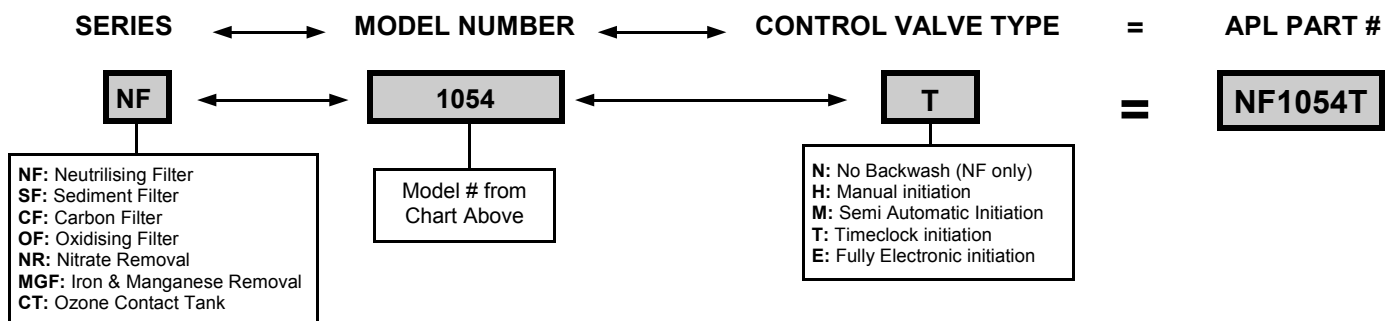
### SPECIFICATIONS

| MODEL | A<br>DIA (mm) | B<br>OH (mm) | C<br>BED DEPTH (mm) | BED VOLUME (L) | FLOW RATES (LPM) |
|-------|---------------|--------------|---------------------|----------------|------------------|
| 735   | 180           | 1100         | 500                 | 11             | 5-10             |
| 744   | 180           | 1350         | 500                 | 18             | 10-15            |
| 948   | 230           | 1450         | 700                 | 27             | 15-25            |
| 1054  | 260           | 1650         | 800                 | 38             | 25-35            |
| 1252  | 300           | 1600         | 800                 | 52             | 35-45            |
| 1465  | 360           | 1850         | 800                 | 72             | 55-65            |



Higher flow rates than those recommended may result in lower water quality.  
 For pH of less than 6, reduce flow of NF series by 30-50% to achieve adequate pH adjustment. Do not use on waters suffering bacterial contamination without adequate disinfection prior to the unit.  
 (Use our Ozone or UV systems for disinfection)

### ORDERING INFORMATION:



As each system is tailored to suit the particular application, unit sizes will be confirmed upon receiving water quality data and required duties.