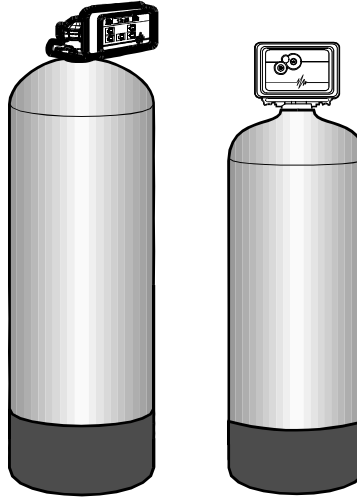


Kleen-Plus®

IRON, MANGANESE & SULPHUR REMOVAL FILTERS

FOR IRON, MANGANESE & SULPHUR REMOVAL

- Rust coloured water means Iron is present
- "Rotten Egg" smell means Sulphur is present
- Black stains means Manganese is present

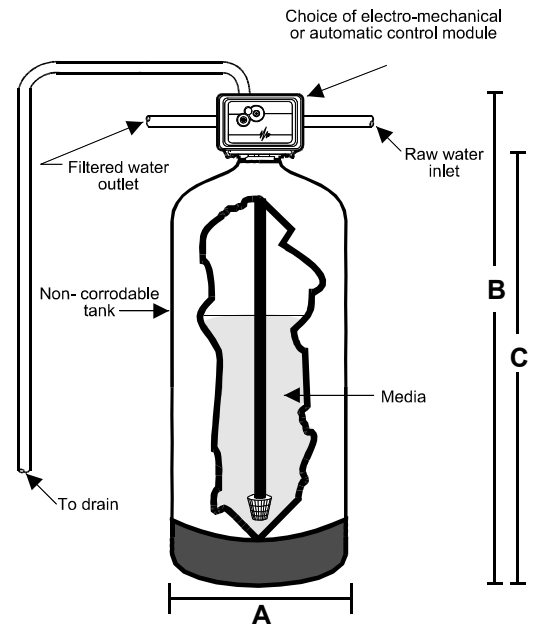


FEATURES

- ☑ Easy to Install
- ☑ High Quality materials for long life
- ☑ In-line system for farm and household applications
- ☑ Simple to maintain

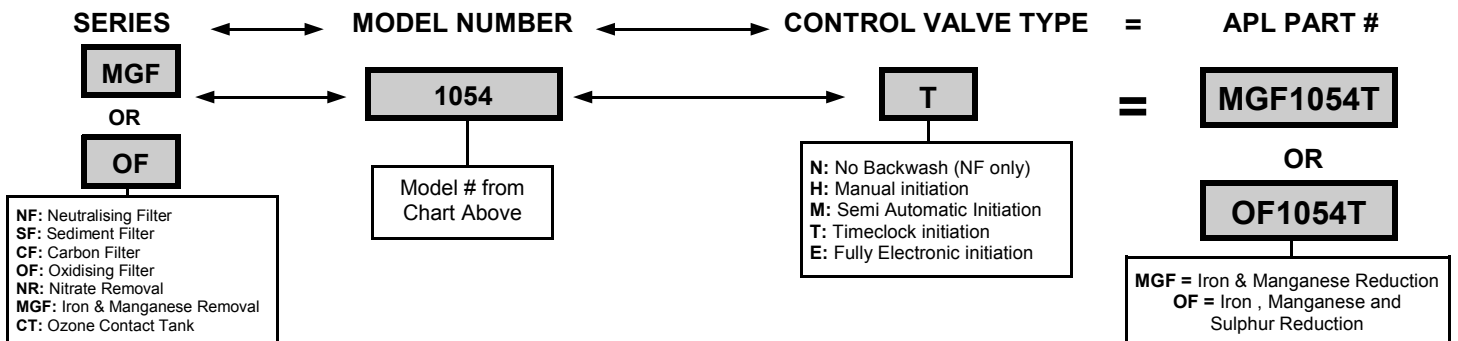
SPECIFICATIONS

MODEL	A DIA (mm)	B OH (mm)	C BED DEPTH (mm)	BED VOLUME (L)	FLOW RATES (LPM)
735	180	1100	500	11	5-10
744	180	1350	500	18	10-15
948	230	1450	700	27	15-25
1054	260	1650	800	38	25-35
1252	300	1600	800	52	35-45
1465	360	1850	800	72	55-65



Higher flow rates than those recommended may result in lower water quality.
 For pH of less than 6, reduce flow of NF series by 30-50% to achieve adequate PH adjustment. Do not use on waters suffering bacterial contamination without adequate disinfection prior to the unit.
 (Use our Ozone or UV systems for disinfection)

ORDERING INFORMATION:



As each system is tailored to suit the particular application, unit sizes will be confirmed upon receiving water quality data and required duties.