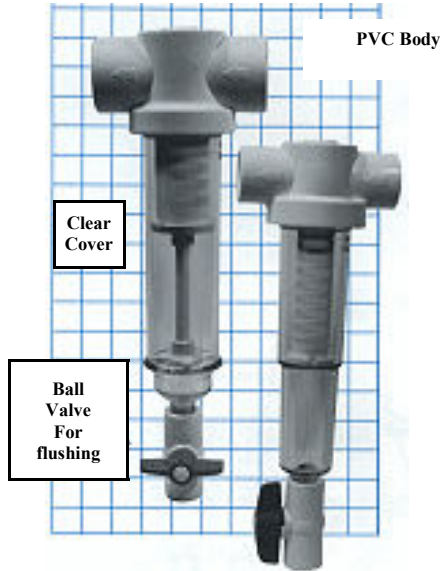
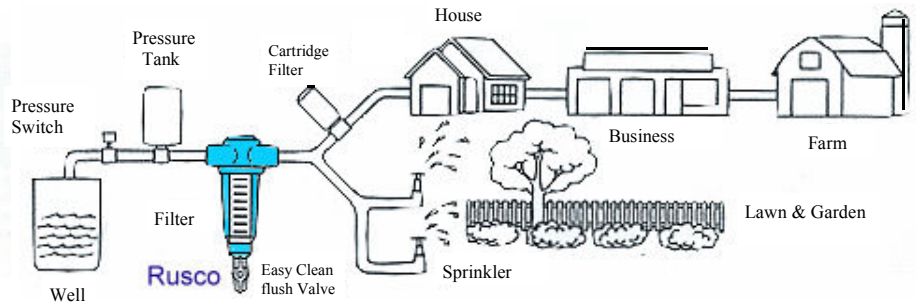
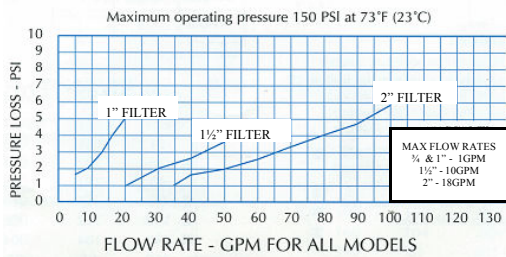


# SPIN DOWN SEDIMENT FILTERS



## FEATURES

- Clear Cover is easily removed for total cleaning
- Flow Capacity is sufficient for the entire house
- Sediment is visible inside the bowl indicating when cleaning is required
- Sediment is easily flushed by opening the ball valve (supplied)
- Quality product made in the USA



PART #	PORTS	MICRON RATING	MESH	OPENING	LENGTH	WIDTH
ST25-100	1"	100	140	0.006"	8-3/8"	5"
ST25-500	1"	500	30	0.0012"	15"	6"
ST50-100	2"	100	140	0.006"	8/38"	5"
ST50-500	2"	500	30	0.0012"	15"	6"